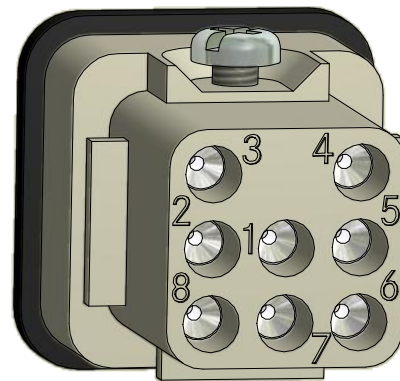
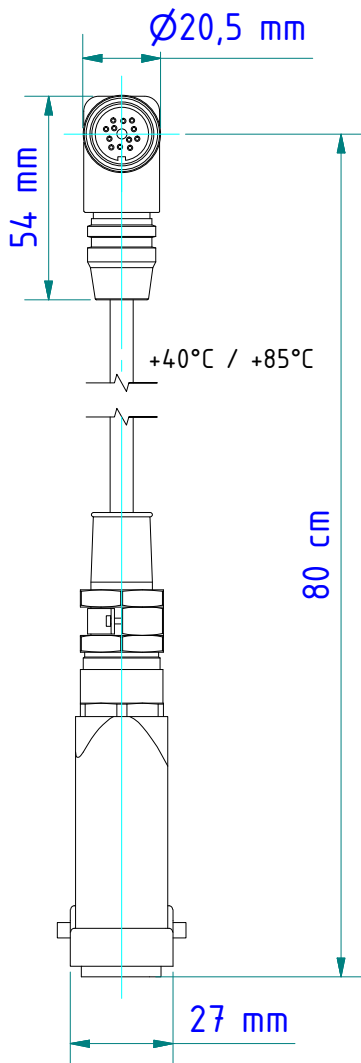


Belegung <i>Configuration</i>	Pol <i>contacts</i>
1 an blau <i>1 at blue</i>	0V
2 an rot <i>2 at red</i>	+24V
3 an weiß+braun <i>3 at white+brown</i>	GND Schnittst.
4 an grau/rosa <i>4 at grey/pink</i>	Ready
5 an grau <i>5 at grey</i>	RxD (A)
6 an rosa <i>6 at pink</i>	RxD (B)
7 an grün <i>7 at green</i>	TxD (A)
8 an gelb <i>8 at yellow</i>	TxD (B)

Schirm durchgängig an Verschraubung
Shield constantly at screw connection



Gewicht: Kg
Weight: Kg

Seite 1 von 1
Page 1 of 1