

Stückliste / Parts list

Pos.	Artikel-Nr.: <i>order number</i>	Bezeichnung <i>title</i>
1	1025834	Pyrometer CellaTemp PA 40 AF 1 <i>Pyrometer CellaTemp PA 40 AF 1</i>
2	1080944	Montagekombination PA 83-011 <i>Mounting PA 83-011</i>
3	120314	Schutzscheibe M46x0,75 mm <i>Protectiv window M46</i>

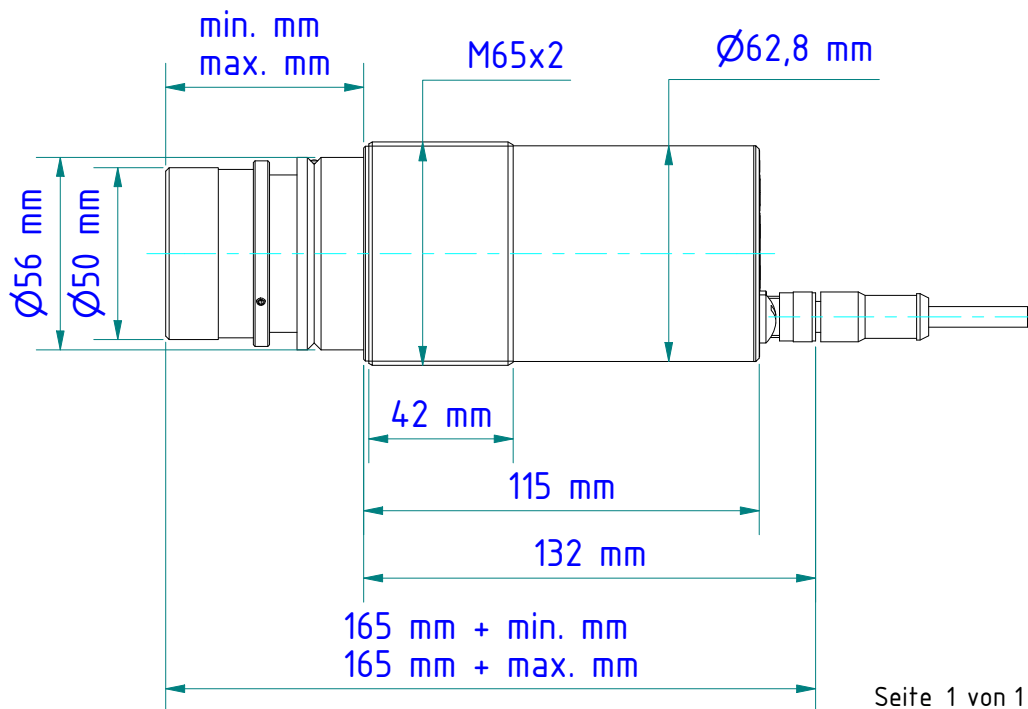
Gewicht: 9.370 Kg
 Weight: 9.370 Kg

Seite 1 von 1
 Page 1 of 1



Kabel VK 02/A AFx
Cable VK 02/A AFx

Optik	min. [mm]	max. [mm]
Standard Optik PZ 10.01 <i>Standard lens PZ 10.01</i>	35,0	44,4
Nah Optik PZ 10.05 <i>close-up lens PZ 10.05</i>	35,0	44,4
Standard Optik PZ 15.03 <i>Standard lens PZ 15.03</i>	51,5	65,0
Standard Optik PZ 20.01 <i>Standard lens PZ 20.01</i>	49,8	69,9
Nah Optik PZ 20.03 <i>Close-up lens</i>	49,7	67,9
Panorama Optik PZ 40.03 <i>Panorama Optik PZ 40.03</i>	52,1	67,9
Weitwinkel Optik PZ 20.05 <i>Wide-angle lens PZ 20.05</i>	62,8	64,7
Tele Optik PZ 20.06 <i>Telephoto lens PZ 20.06</i>	93,0	112,0
Spezial Optik PZ 20.08 <i>Special lens PZ 20.08</i>	35,0	44,4



Staubblende PZ 10/T
Dust stop PZ 10/T
 nr./no. 561257

Befestigungsschelle PZ 20/L AF2
Clamping collar PZ 20/L AF2
 nr./no. 561541

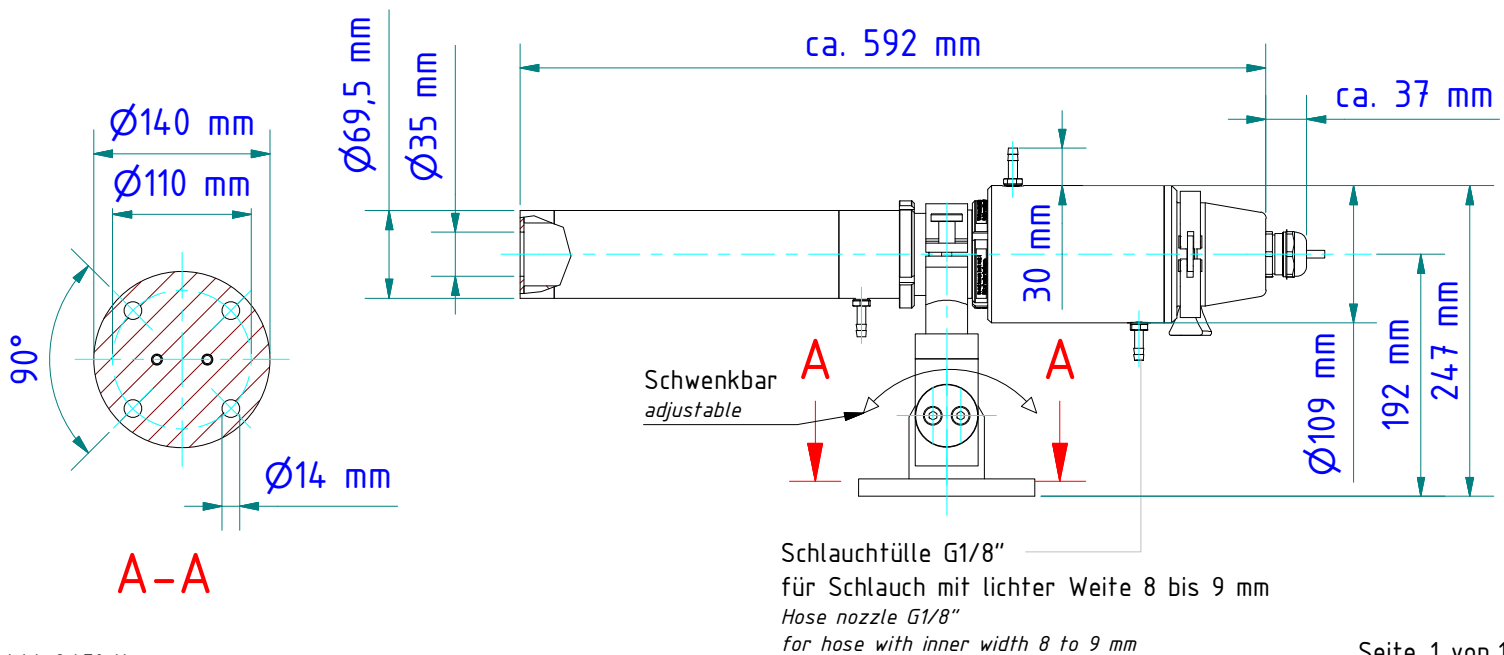
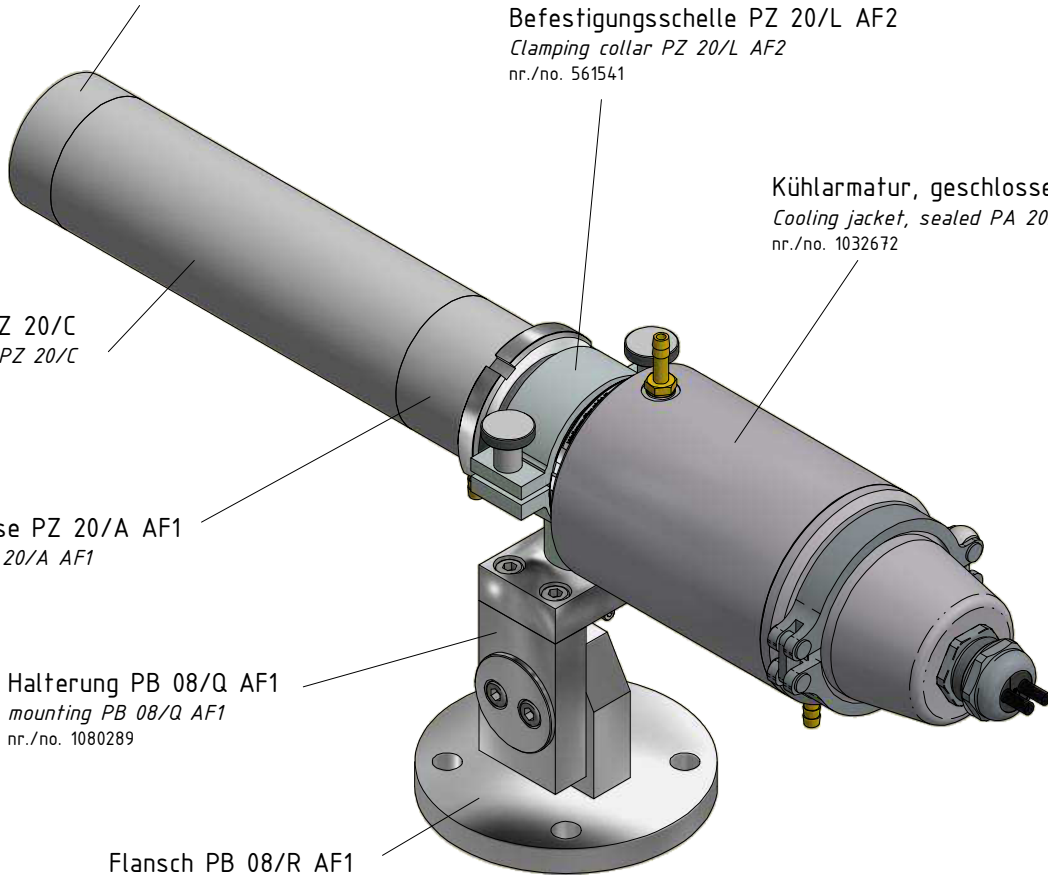
Kühlarmatur, geschlossen PA 20/M AF2
Cooling jacket, sealed PA 20/M AF2
 nr./no. 1032672

Zwischenrohr PZ 20/C
Intermediate tube PZ 20/C
 nr./no. 561174

Axialluftdüse PZ 20/A AF1
Air purge PZ 20/A AF1
 nr./no. 561176

Halterung PB 08/Q AF1
mounting PB 08/Q AF1
 nr./no. 1080289

Flansch PB 08/R AF1
flange PB 08/R AF1
 nr./no. 1080288





Für Pyrometer-Serie Optix / PZ / PA
For Pyrometer-Serie Optix / PZ / PA

