

KELLERinfrared
temperature
solutions**ITS**

Vacuum Feed-Through for Fibre Optic Cables

Vacuum Feed-Through for Fibre Optic Cables

The vacuum feed-through consists of an M10 housing with Viton O-Ring and two SMA-905 optical connectors.

Technical data

Vacuum chamber wall thickness

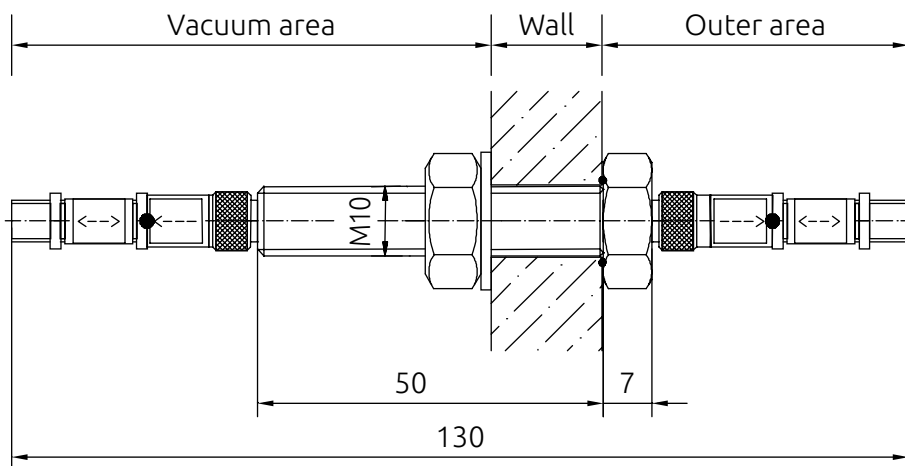
- 5 to 40 mm

Maximum vacuum

- 10^{-7} mbar

Permissible ambient temperature

- -40 to 130 °C



Keller HCW GmbH
Infrared Temperature Solutions (ITS)
Carl-Keller-Straße 2-10
49479 Ibbenbüren, Germany

www.keller.de/its
Tel. +49 (0) 5451 850
Fax +49 (0) 5451 89412
its@keller.de

