

Stückliste / Parts list		
Pos.	Artikel-Nr.: <i>order number</i>	Bezeichnung <i>title</i>
1	1078096	Pyrometer CellaTemp PA 28 AF 10 <i>Pyrometer CellaTemp PA 28 AF 10</i>
2	1097115	Montagekombination PA 20-112 <i>Mounting PA 20-112</i>

Gewicht: 11.570 Kg
 Weight: 11.570 Kg

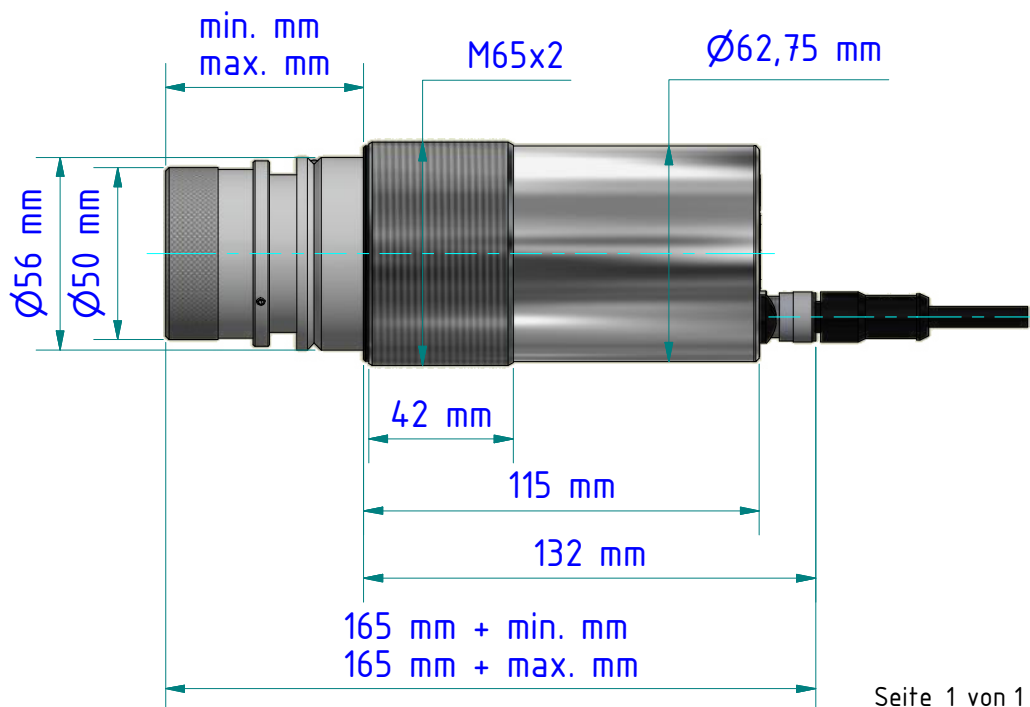
Seite 1 von 1
 Page 1 of 1

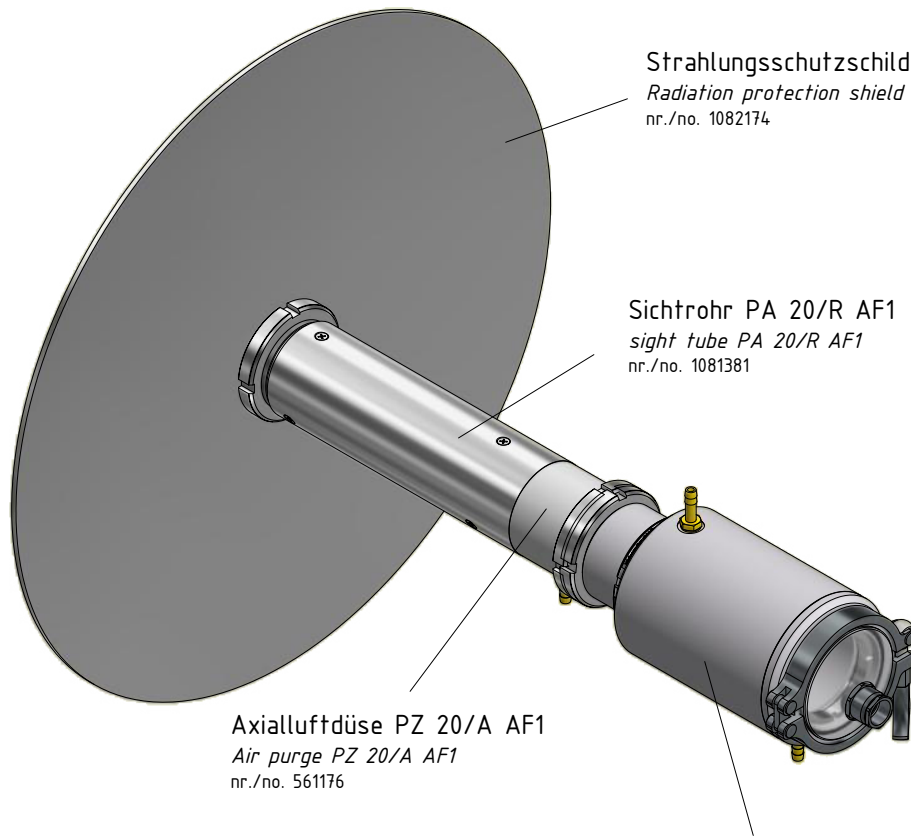


Kabel VK 02/A AFx
Cable VK 02/A AFx

Optik

Lens	min. [mm]	max. [mm]
Standard Optik PZ 10.01 Standard lens PZ 10.01	35,0	44,4
Nah Optik PZ 10.05 close-up lens PZ 10.05	35,0	44,4
Standard Optik PZ 15.03 Standard lens PZ 15.03	51,5	65,0
Standard Optik PZ 20.01 Standard lens PZ 20.01	49,8	69,9
Nah Optik PZ 20.03 Close-up lens	49,7	67,9
Panorama Optik PZ 40.03 Panorama Optik PZ 40.03	52,1	67,9
Weitwinkel Optik PZ 20.05 Wide-angle lens PZ 20.05	62,8	64,7
Tele Optik PZ 20.06 Telephoto lens PZ 20.06	93,0	112,0
Spezial Optik PZ 20.08 Special lens PZ 20.08	35,0	44,4



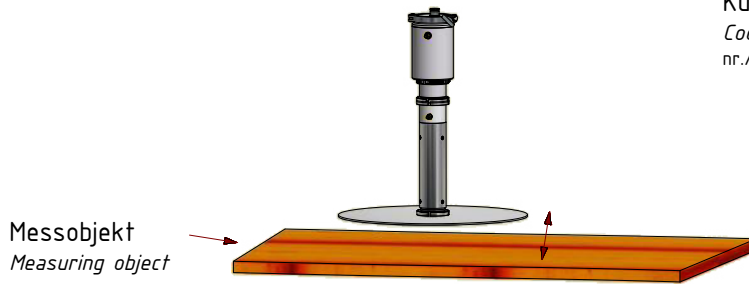


Strahlungsschutzschild PA 20/S AF1
Radiation protection shield PA 20/S AF1
nr./no. 1082174

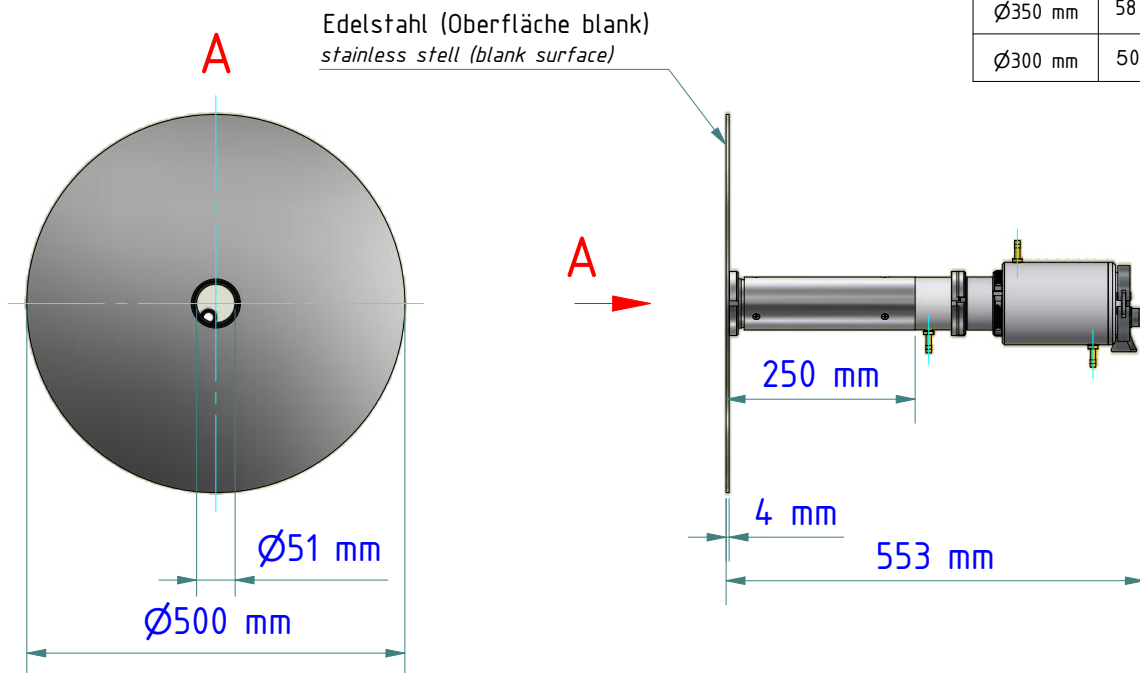
Sichtrohr PA 20/R AF1
sight tube PA 20/R AF1
nr./no. 1081381

Axialluftdüse PZ 20/A AF1
Air purge PZ 20/A AF1
nr./no. 561176

Kühlarmatur, geschlossen PA 20/M AF1
Cooling jacket, sealed PA 20/M AF1
nr./no. 1027765



Abstand zum Messobjekt Distance to object	
Distanzverhältnis / field of view 1:6	
Ø500 mm	83 mm
Ø450 mm	75 mm
Ø400 mm	66 mm
Ø350 mm	58 mm
Ø300 mm	50 mm



Edelstahl (Oberfläche blank)
stainless steel (blank surface)