

Stückliste / Parts list		
Pos.	Artikel-Nr.: <i>order number</i>	Bezeichnung <i>title</i>
1	1024087	Pyrometer CellaTemp PA 20 AF 3/L <i>Pyrometer CellaTemp PA 20 AF 3/L</i>
2	1099355	Montagekombination PA 20-117 <i>Mounting PA 20-117</i>
3	515152	Kabel VK 01/X AF 1 <i>Cable VK 01/X AF 1</i>
4	1024914	Kabel VK 01/Y AF 3 <i>Cable VK 01/Y AF 3</i>

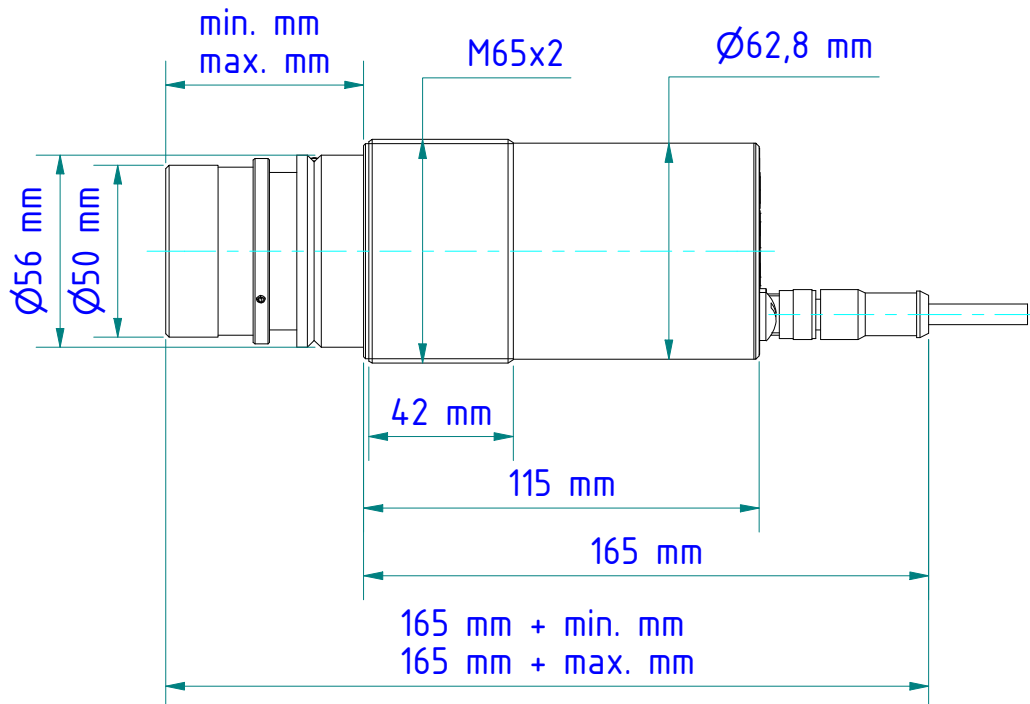
Gewicht: 10.930 Kg
Weight: 10.930 Kg

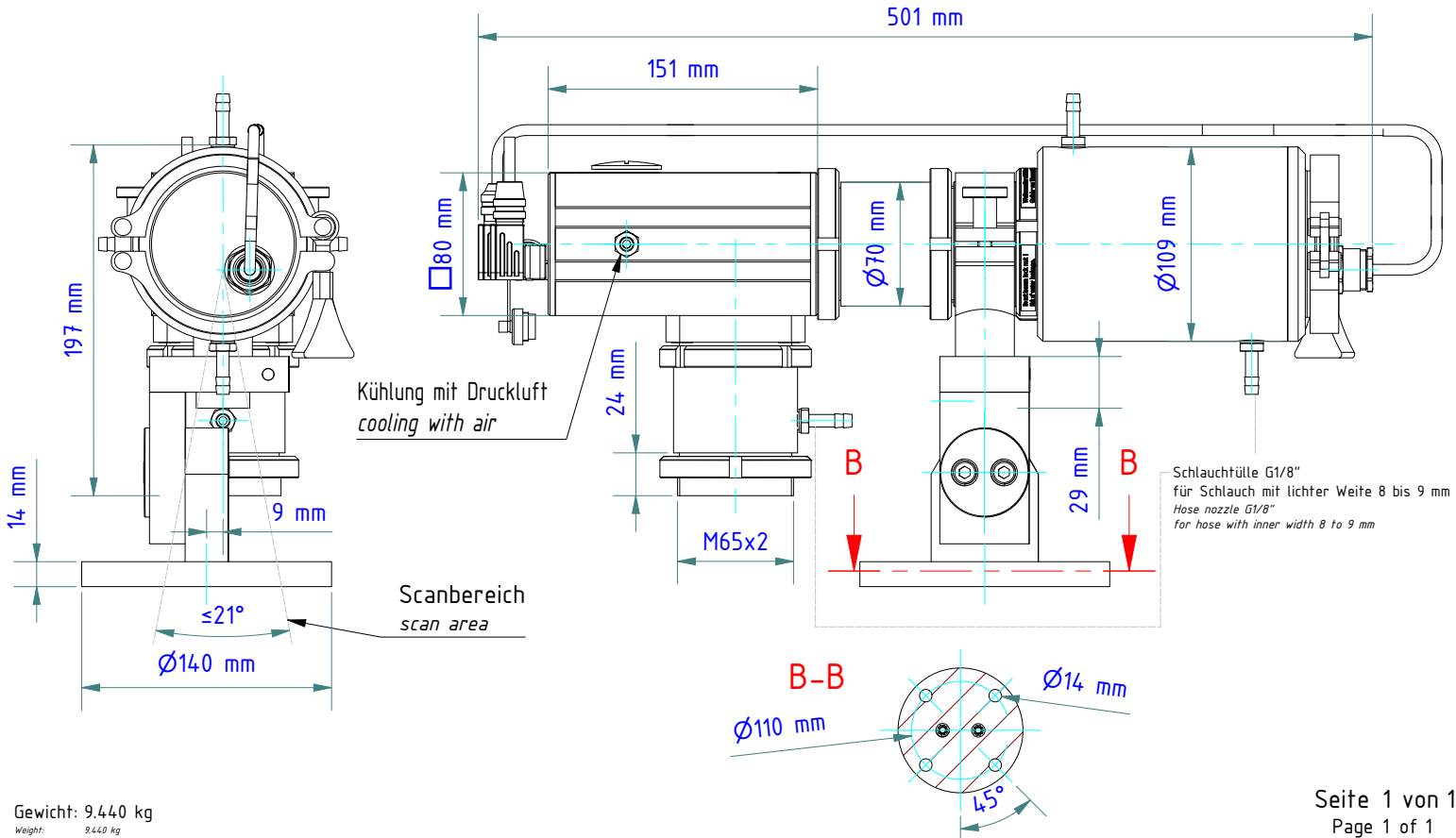
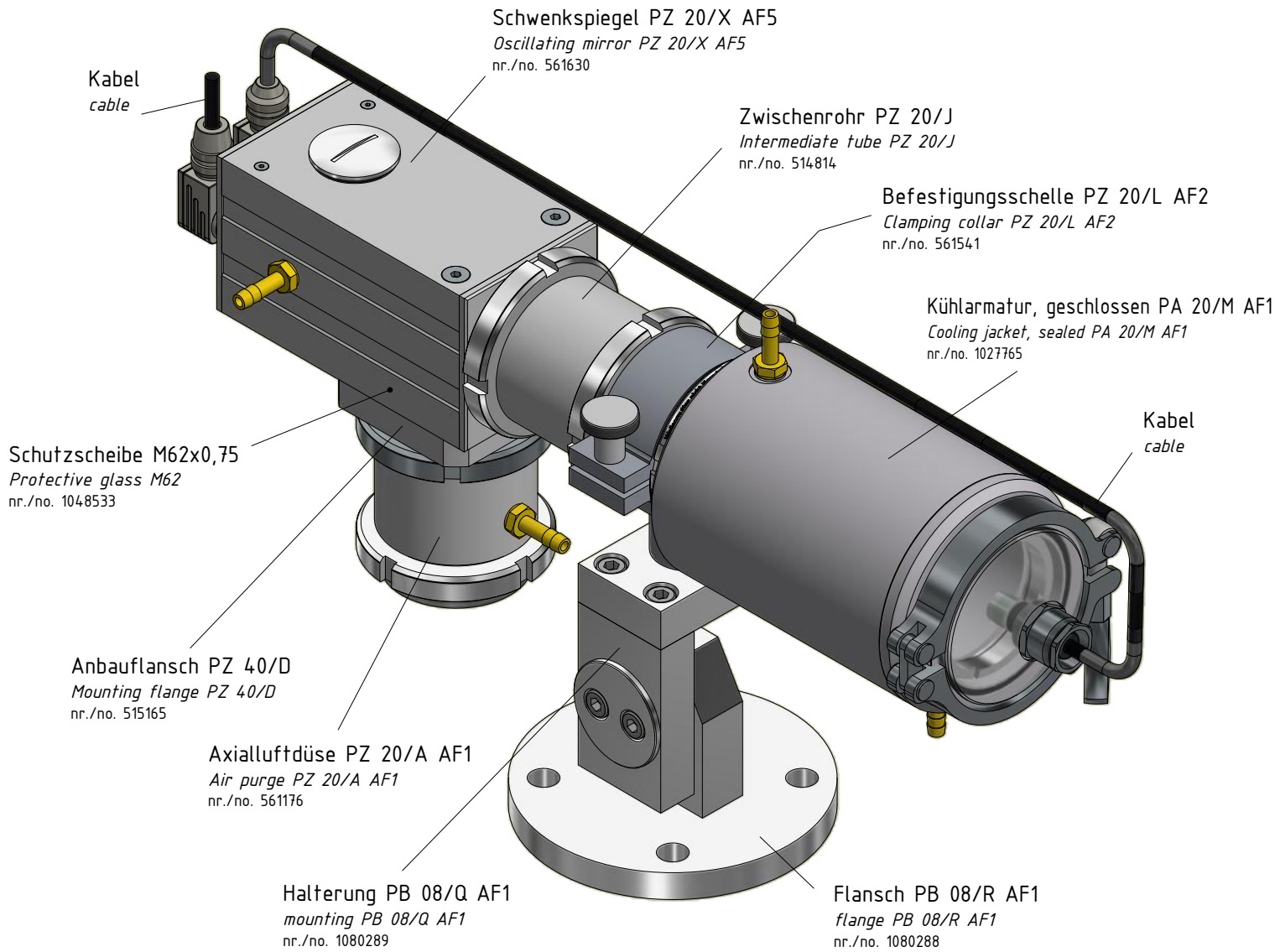
Seite 1 von 1
Page 1 of 1



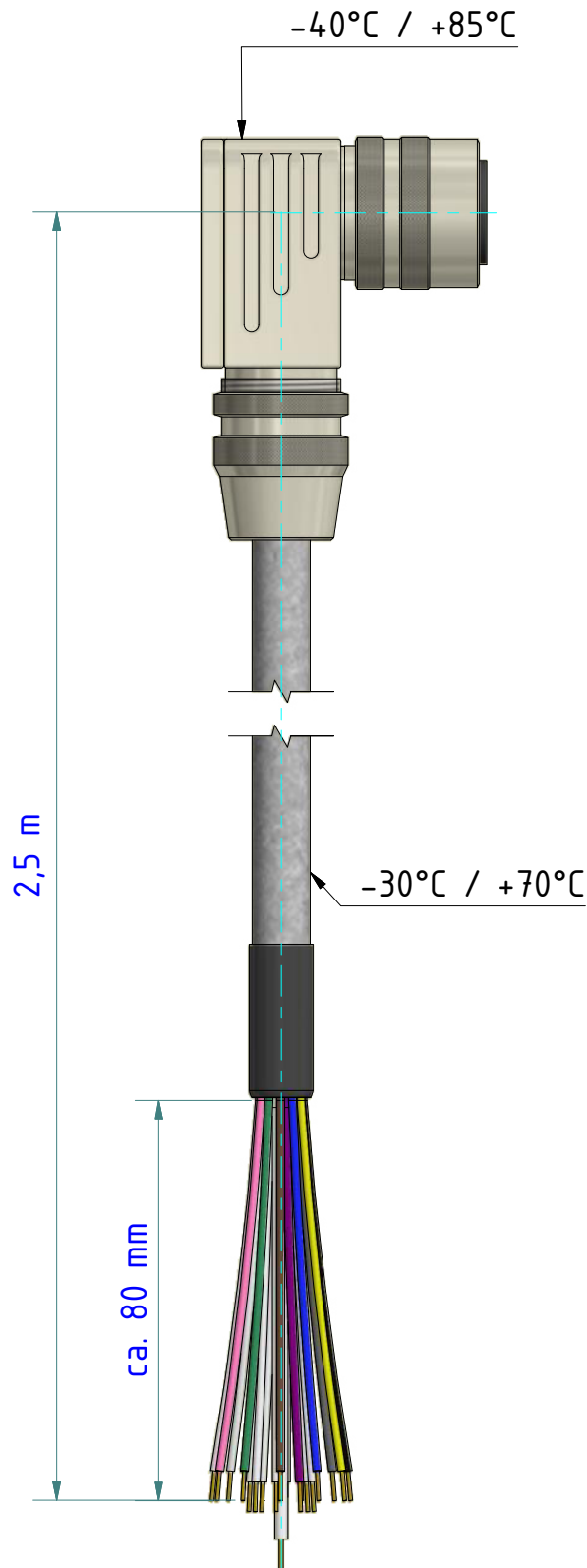
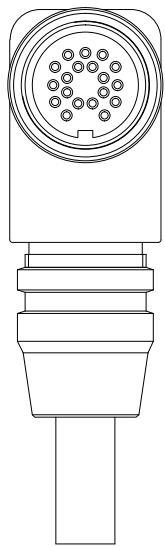
Kabel VK 02/A AFx
Cable VK 02/A AFx

Optik Lens	min. [mm]	max. [mm]
Super-Tele Optik PA 20.06 Telephoto lens PAZ 20.06	116,5	163,5
Standard Optik PZ 10.01 Standard lens PZ 10.01	35,0	44,4
Nah Optik PZ 10.05 close-up lens PZ 10.05	35,0	44,4
Standard Optik PZ 15.03 Standard lens PZ 15.03	51,5	65,0
Standard Optik PZ 20.01 Standard lens PZ 20.01	49,8	69,9
Nah Optik PZ 20.03 Close-up lens	49,7	67,9
Panorama Optik PZ 40.03 Panorama Optik PZ 40.03	52,1	67,9
Weitwinkel Optik PZ 20.05 Wide-angle lens PZ 20.05	62,8	64,7
Tele Optik PZ 20.06 Telephoto lens PZ 20.06	93,0	112,0
Spezial Optik PZ 20.08 Special lens PZ 20.08	35,0	44,4





Gewicht: 9.440 kg
Weight: 9.440 kg



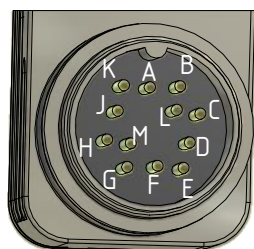
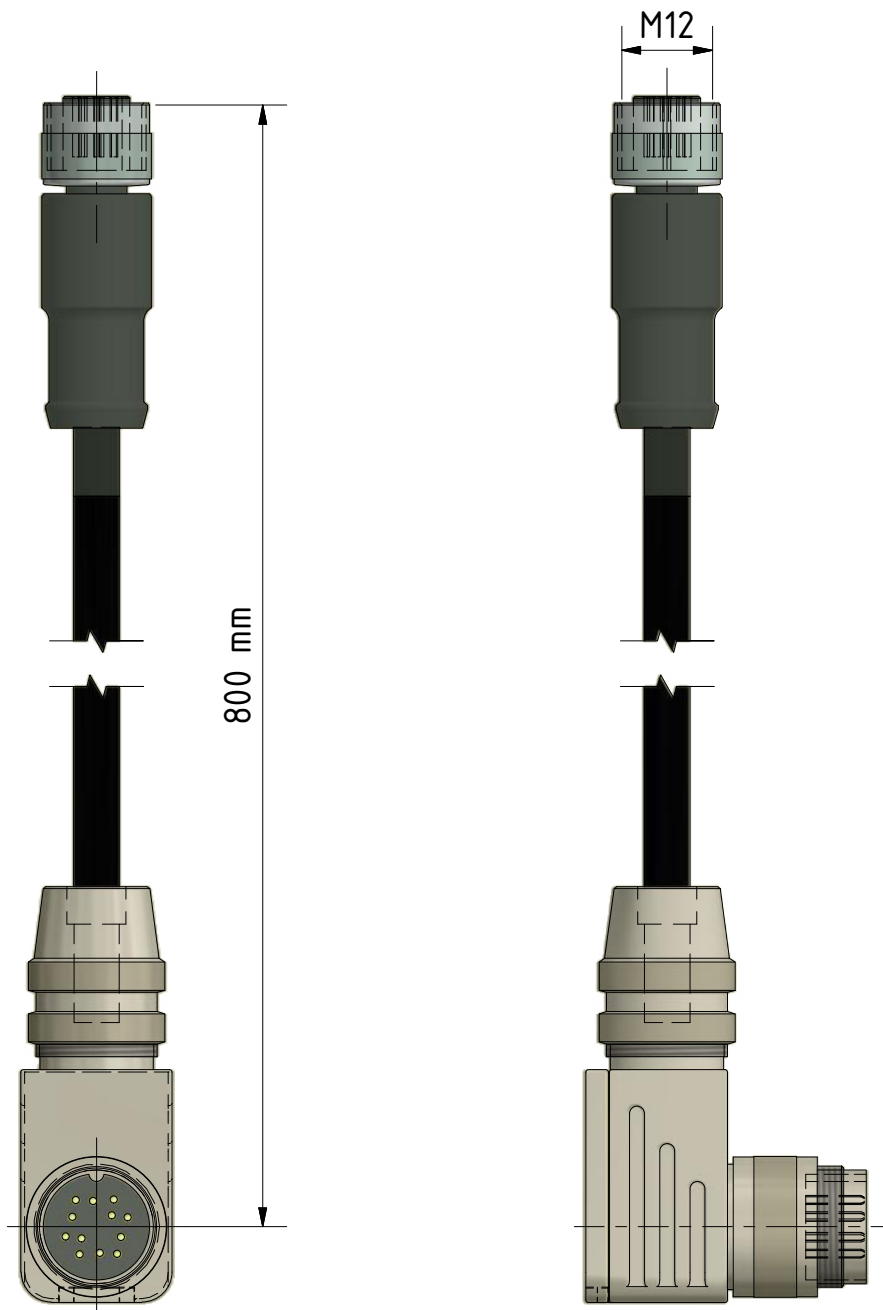
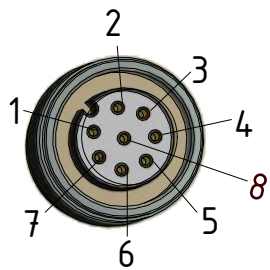
Belegung <i>Configuration</i>	Pol <i>contacts</i>
----------------------------------	------------------------

rosa <i>pink</i>	an A <i>at A</i>
weiß <i>white</i>	an B <i>at B</i>
grau <i>grey</i>	an C <i>at C</i>
gelb <i>yellow</i>	an D <i>at D</i>
violett <i>violet</i>	an E <i>at E</i>
braun <i>brown</i>	an F <i>at F</i>
grün <i>green</i>	an G <i>at G</i>
rot-blau <i>red-blue</i>	an H <i>at H</i>
rot <i>red</i>	an J <i>at J</i>
grau-rosa <i>grey-pink</i>	an K <i>at K</i>
blau <i>blue</i>	an L <i>at L</i>
schwarz <i>black</i>	an M <i>at M</i>
weiß-rosa <i>white-pink</i>	an N <i>at N</i>
grau-braun <i>grey-brown</i>	an O <i>at O</i>
braun-grün <i>brown-green</i>	an P <i>at P</i>
weiß-grün <i>white-green</i>	an R <i>at R</i>
gelb-braun <i>yellow-brown</i>	an S <i>at S</i>
weiß-gelb <i>white-yellow</i>	an T <i>at T</i>
weiß-grau <i>white-grey</i>	an U <i>at U</i>

Schirm durchgängig an Verschraubung
Shield constantly at screw connection

Gewicht: 0.308 Kg
Weight: 0.308 Kg

Seite 1 von 1
Page 1 of 1



Gewicht: 0.122 Kg
Weight: 0.122 Kg

Seite 1 von 1
Page 1 of 1

KELLER
www.keller.de/its

Kabel
Cable

VK 01/Y AF3

Artikel-Nr.: 1024914

Ersteller: Neukötter 25.05.2018 Z-Index: 01