



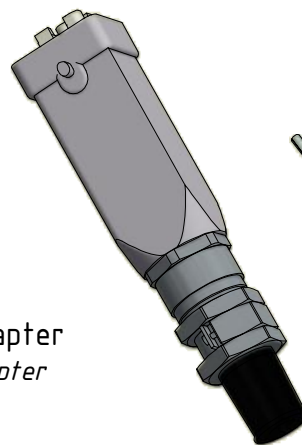
Belegung
Configuration

Pol
contacts

Funktion
function

weiß <i>white</i>	an 1 <i>at 1</i>	+24 V DC <i>+24 V DC</i>
braun <i>brown</i>	an 2 <i>at 2</i>	Schalt ein- / ausgang 1 <i>Digital in- / output 1</i>
grün <i>green</i>	an 3 <i>at 3</i>	Stromausgang 2 <i>Analogue output 2</i>
gelb <i>yellow</i>	an 4 <i>at 4</i>	Stromausgang 1 <i>Analogue output 1</i>
grau <i>grey</i>	an 5 <i>at 5</i>	Serielle Schnittstelle RS485 (A) <i>Serial interface RS485 (A)</i>
rosa <i>pink</i>	an 6 <i>at 6</i>	Serielle Schnittstelle (B) <i>Serial interface (B)</i>
blau <i>blue</i>	an 7 <i>at 7</i>	Schalt ein- / ausgang 2 <i>Digital in- / output 2</i>
rot <i>red</i>	an 8 <i>at 8</i>	GND <i>GND</i>

Schirm durchgängig an Verschraubung
Shield constantly at screw connection



12x Kontaktbuchse
12x female contact



Gewicht: 0.346 Kg
Weight: 0.346 Kg

Seite 1 von 1
Page 1 of 1