

jedoch ohne  
 - USB Kabel VK 11/D 1009677  
 - Anschlusskabel VK 02/A 1013909

but without  
 - USB cable VK 11 / D 1009677  
 - Connection cable VK 02 / A 1013909

Stückliste / Parts list		
Pos.	Artikel-Nr.: <i>order number</i>	Bezeichnung <i>title</i>
1	1026585	Pyrometer CellaTemp PA 40 AF 7 <i>Pyrometer CellaTemp PA 40 AF 7</i>
2	1027423	Kabel VK 02/C AF 1 <i>Cable VK 02/C AF 1</i>

Gewicht: 1.220 Kg  
 Weight: 1.220 Kg

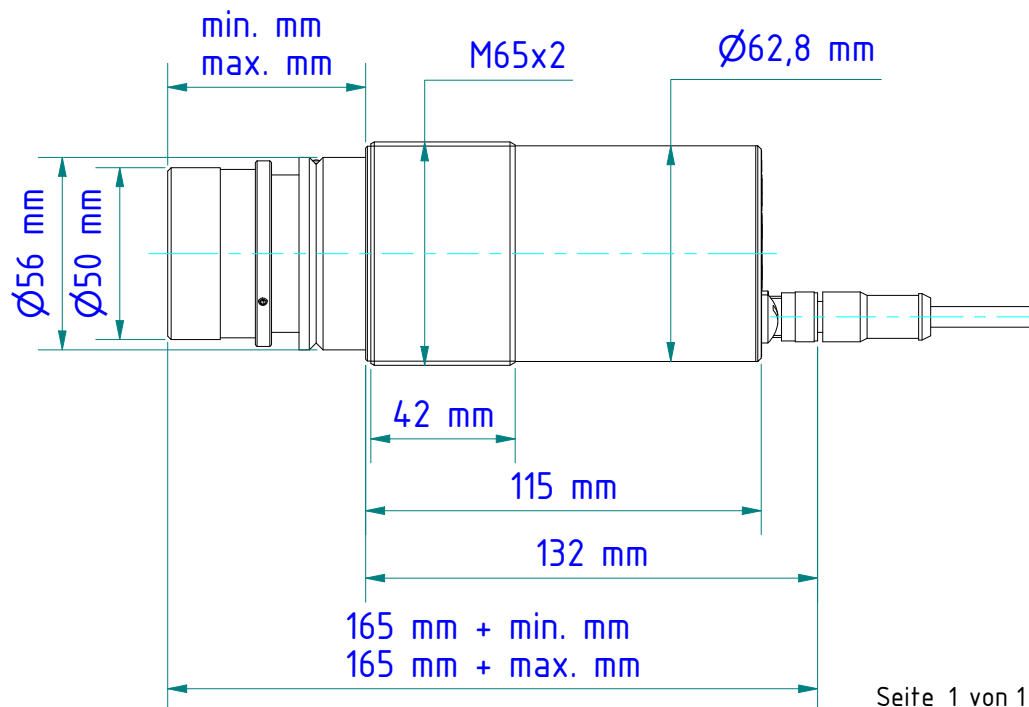
Seite 1 von 1  
 Page 1 of 1

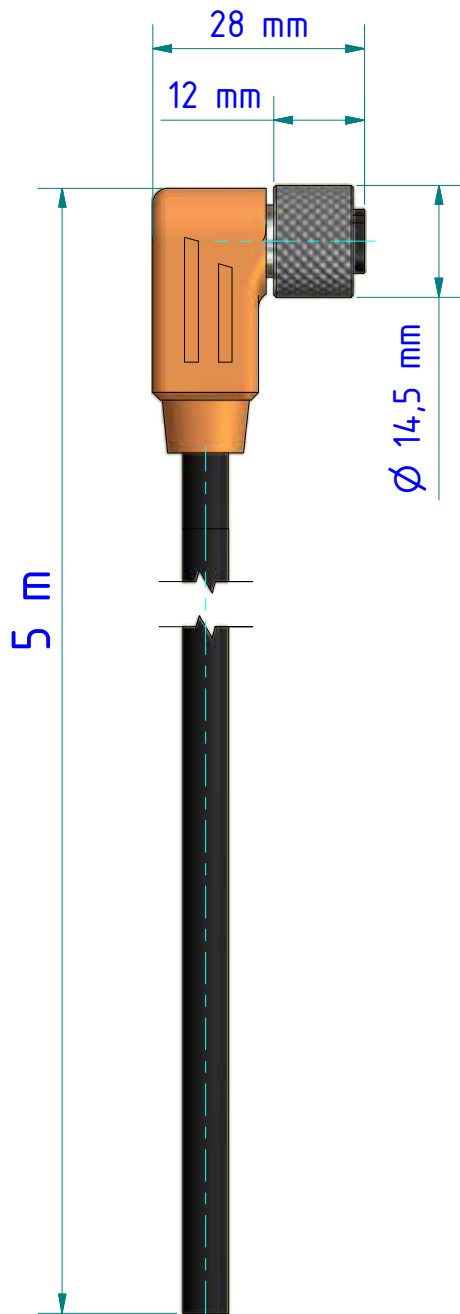


Kabel VK 02/A AFx  
Cable VK 02/A AFx

## Optik

Optik	min. [mm]	max. [mm]
Standard Optik PZ 10.01 <i>Standard lens PZ 10.01</i>	35,0	44,4
Nah Optik PZ 10.05 <i>close-up lens PZ 10.05</i>	35,0	44,4
Standard Optik PZ 15.03 <i>Standard lens PZ 15.03</i>	51,5	65,0
Standard Optik PZ 20.01 <i>Standard lens PZ 20.01</i>	49,8	69,9
Nah Optik PZ 20.03 <i>Close-up lens</i>	49,7	67,9
Panorama Optik PZ 40.03 <i>Panorama Optik PZ 40.03</i>	52,1	67,9
Weitwinkel Optik PZ 20.05 <i>Wide-angle lens PZ 20.05</i>	62,8	64,7
Tele Optik PZ 20.06 <i>Telephoto lens PZ 20.06</i>	93,0	112,0
Spezial Optik PZ 20.08 <i>Special lens PZ 20.08</i>	35,0	44,4





Anschlussquerschnitt 0,25mm<sup>2</sup> (AWG 24)  
 Schutzart IP67 geschirmt  
 Obere Grenztemperatur + 80°C  
 Untere Grenztemperatur - 25°C

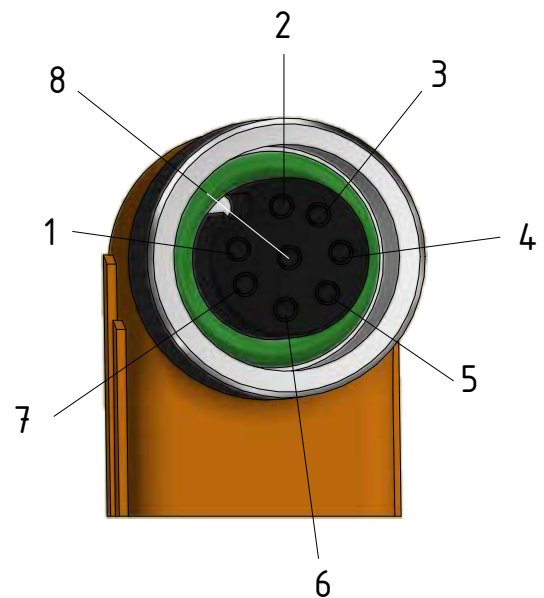
Wire gauge 0,25mm<sup>2</sup> (AWG 24)  
 Degree of protection IP67 shielded  
 Upper temperature + 80°C  
 Lower temperature - 25°C

Gewicht: 0.324 Kg  
 Weight: 0.324 Kg

Belegung Configuration  
 Pol contacts

weiß <i>white</i>	an 1 <i>at 1</i>
braun <i>brown</i>	an 2 <i>at 2</i>
grün <i>green</i>	an 3 <i>at 3</i>
gelb <i>yellow</i>	an 4 <i>at 4</i>
grau <i>grey</i>	an 5 <i>at 5</i>
rosa <i>pink</i>	an 6 <i>at 6</i>
blau <i>blue</i>	an 7 <i>at 7</i>
rot <i>red</i>	an 8 <i>at 8</i>

Schirm durchgängig an Verschraubung  
 Shield constantly at screw connection



Seite 1 von 1  
 Page 1 of 1