

Flanschrohr mit Quarzscheibe und
Spülluftanschluss PB 08/M AF1
*Flanged tube with quartz window and
puring air connection PB 08/M AF1*
nr. / no. 1060325

Kugelflansch PZ 10/F AF 2
Ball flange PZ 10/F AF 2
nr./no. 1113555

Kniehebeladapter PZ 40/G
toggle adapter PZ 40/G
nr./no. 561867

PA Pyrometer

Zyln.Schraube M8x40 (020514)
cylinder screw M8x40

Scheibe Ø8.4mm (010667)
disc Ø8.4

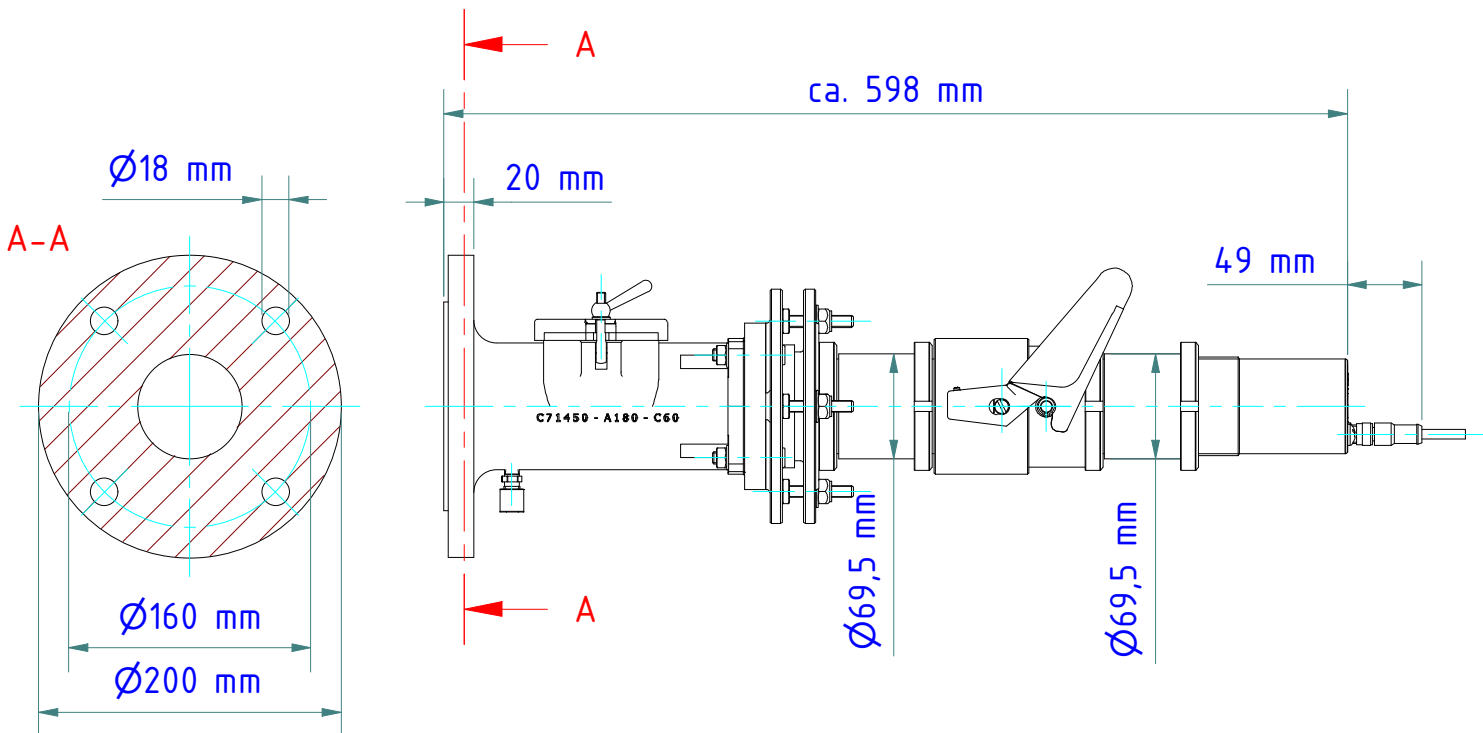
Mutter M8 (011480)
nut M8

Anbaufansch PB 08/O AF2
Flange PB 08/O AF2
nr. / no. 1077686

Zwischenrohr PZ 20/J
Intermediate tube PZ 20/J
nr./no. 514814

Siemens-Adapter PZ 20/V
Siemens adapter PZ 20/V
nr./no. 561263

Zwischenrohr PZ 20/J
Intermediate tube PZ 20/J
nr./no. 514814



Gewicht: 12.100 Kg
Weight: 12.100 Kg

Seite 1 von 1
Page 1 of 1