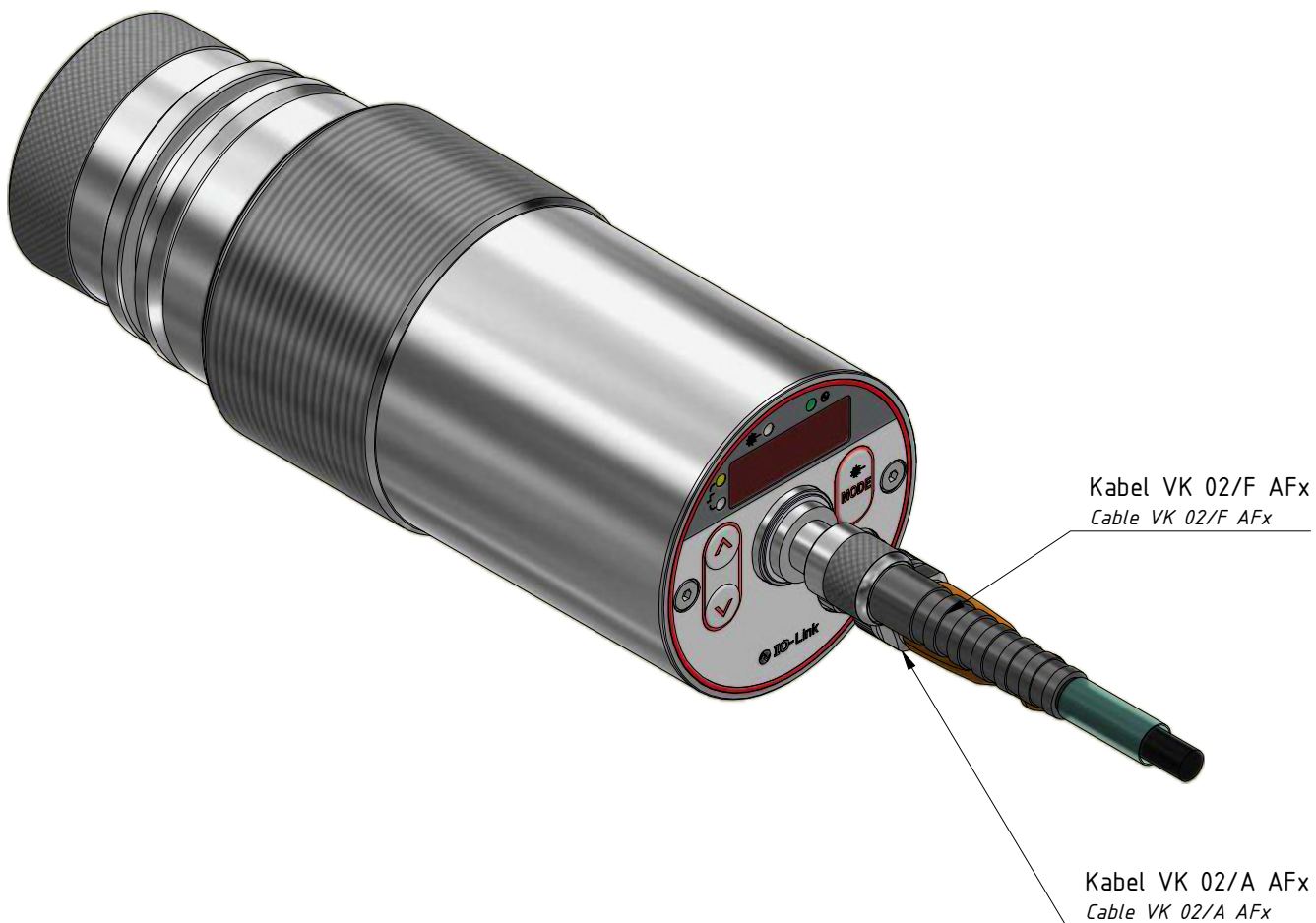


Stückliste / Parts list		
Pos.	Artikel-Nr.: <i>order number</i>	Bezeichnung <i>title</i>
1	1105821	Pyrometer CellaTemp PX 44 AF 7/C <i>Pyrometer CellaTemp PX 44 AF 7/C</i>
2	1048085	Kabel VK 02/L AF 2 <i>Cable VK 02/L AF 2</i>
3	1060020	Kabel VK 02/F AF 2 <i>Cable VK 02/F AF 2</i>

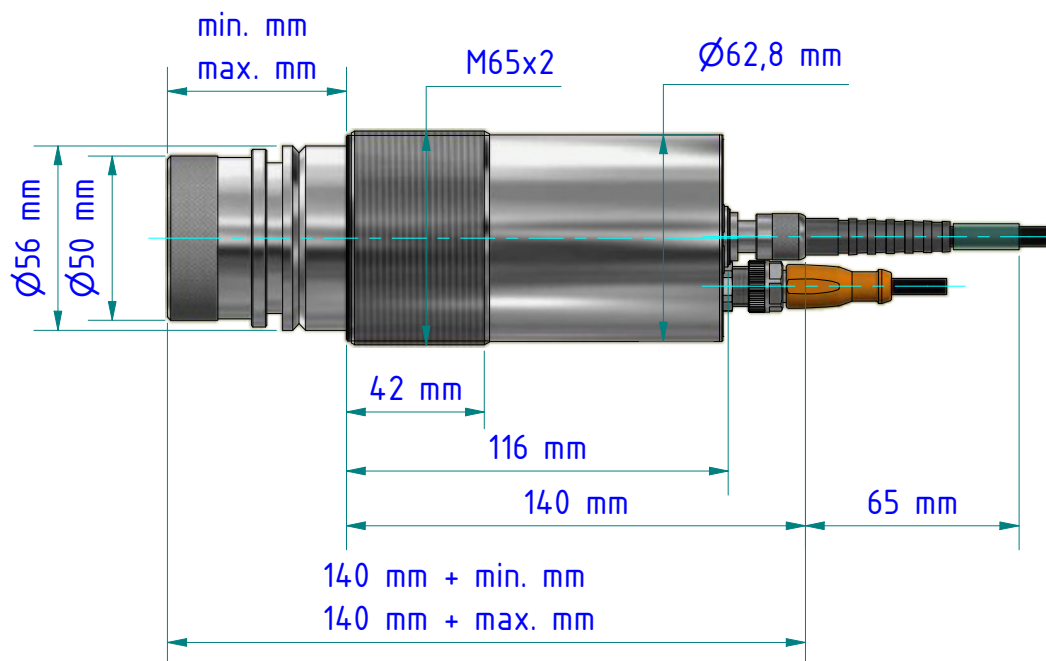
Gewicht: 2.100 Kg
 Weight: 2.100 Kg

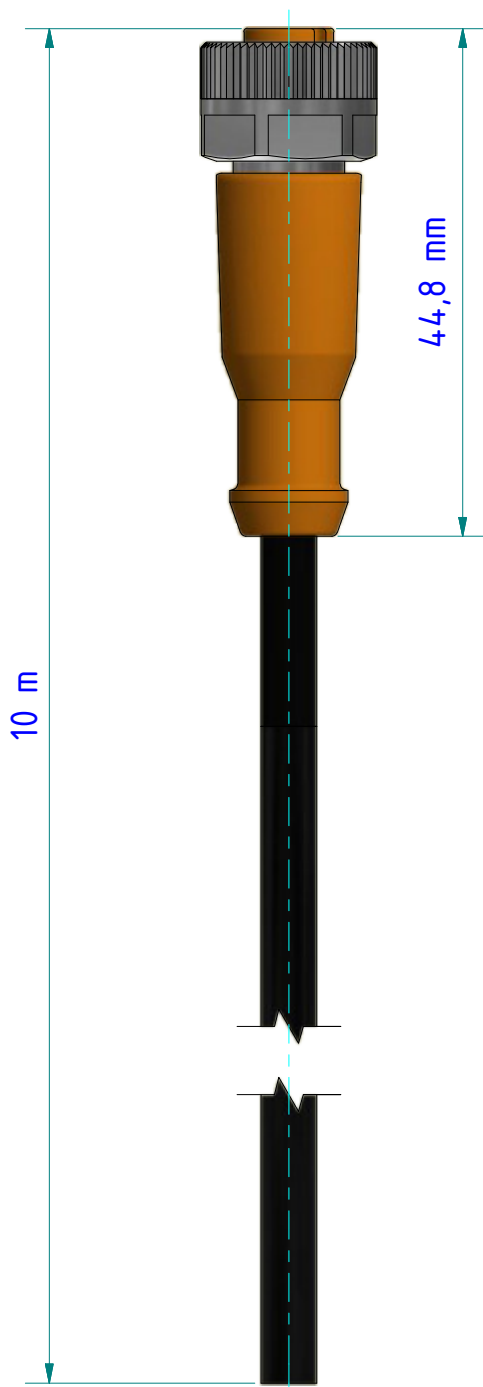
Seite 1 von 1
 Page 1 of 1



Optik Lens

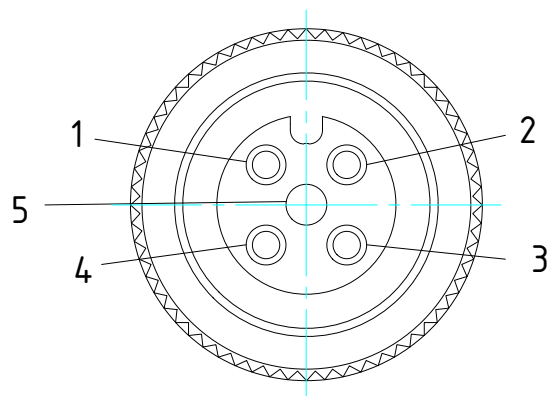
	min. [mm]	max. [mm]
Super-Tele Optik PA 20.06 <i>Telephoto lens PAZ 20.06</i>	116,5	163,5
Standard Optik PZ 10.01 <i>Standard lens PZ 10.01</i>	35,0	44,4
Nah Optik PZ 10.05 <i>close-up lens PZ 10.05</i>	35,0	44,4
Standard Optik PZ 15.03 <i>Standard lens PZ 15.03</i>	51,5	65,0
Standard Optik PZ 20.01 <i>Standard lens PZ 20.01</i>	49,8	69,9
Nah Optik PZ 20.03 <i>Close-up lens</i>	49,7	67,9
Panorama Optik PZ 40.03 <i>Panorama Optik PZ 40.03</i>	52,1	67,9
Weitwinkel Optik PZ 20.05 <i>Wide-angle lens PZ 20.05</i>	62,8	64,7
Tele Optik PZ 20.06 <i>Telephoto lens PZ 20.06</i>	93,0	112,0
Spezial Optik PZ 20.08 <i>Special lens PZ 20.08</i>	35,0	44,4





<i>Belegung</i> <i>Configuration</i>	<i>Pol</i> <i>contacts</i>
-----------------------------------------	-------------------------------

braun <i>brown</i>	an 1 <i>at 1</i>
weiß <i>white</i>	an 2 <i>at 2</i>
blau <i>blue</i>	an 3 <i>at 3</i>
schwarz <i>black</i>	an 4 <i>at 4</i>
grau <i>grey</i>	an 5 <i>at 5</i>
Schirm durchgängig an Verschraubung <i>Shield constantly at screw connection</i>	



(Maßstab 3:1)

PUR-Kabel / *PUR cable*

Umgebungstemperatur [°C] / *Ambient temperature* -25...90, cULus: max. 75 °C

Schutzart / *Protection* IP 65 / IP 67

Gewicht: 0.400 Kg

Weight: 0.400 Kg

Seite 1 von 1

Page 1 of 1

KELLER

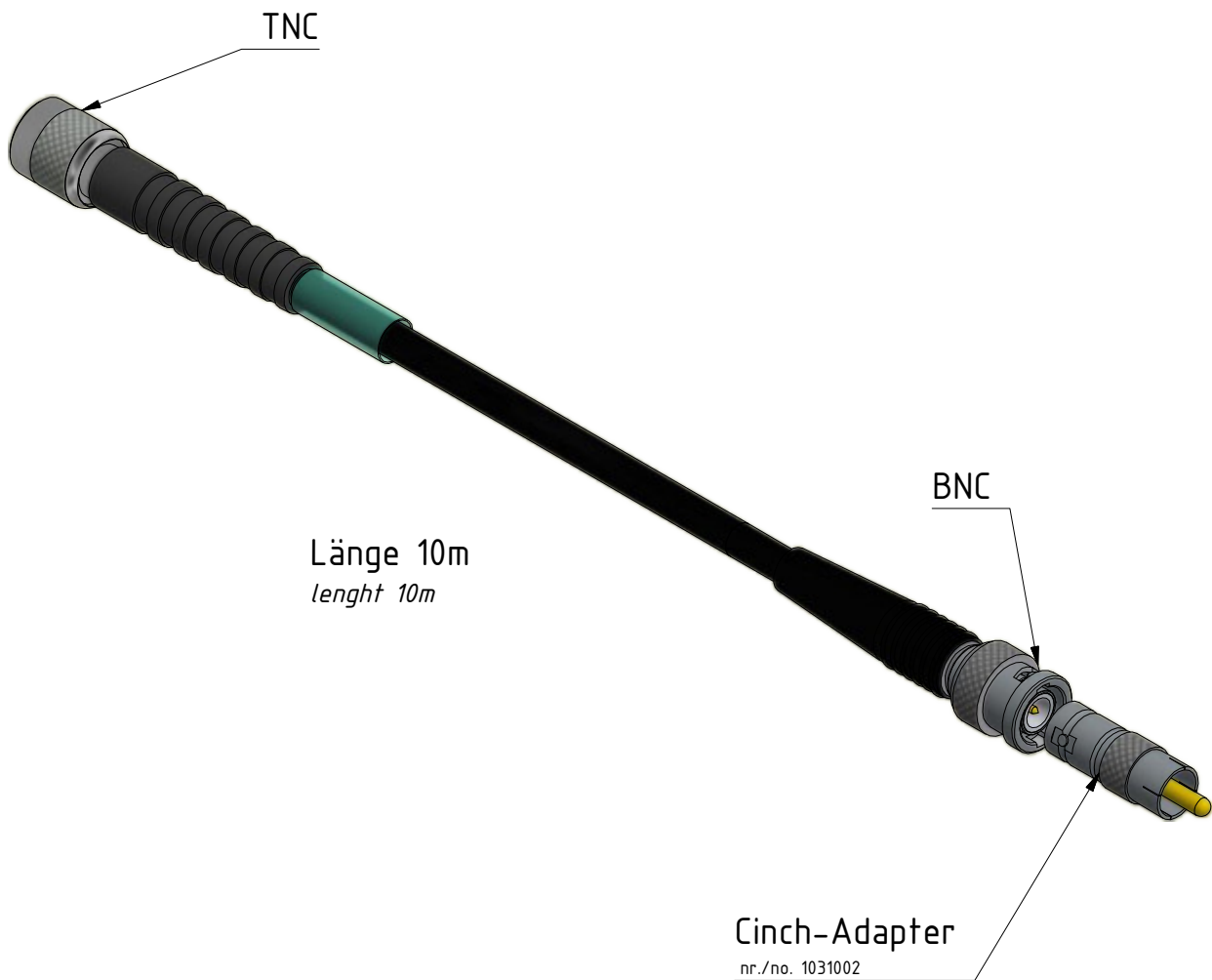
www.keller.de/its

Kabel
Cable

VK 02/L AF2

Artikel-Nr.: 1048085

Ersteller: Neukötter 16.05.2018 Z-Index: 03



Gewicht: 0.560 Kg
Weight: 0.560 Kg

Seite 1 von 1
Page 1 of 1