

Anschlussquerschnitt 0,25mm² (AWG 24)
 Schutzart IP67 geschirmt
 Obere Grenztemperatur + 80°C
 Untere Grenztemperatur - 25°C

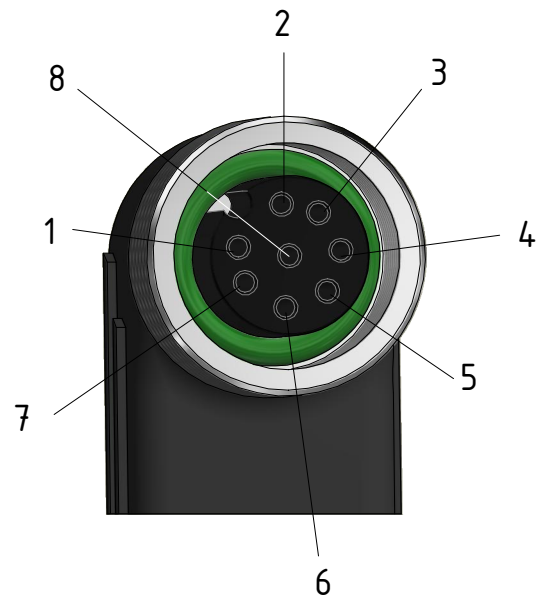
Wire gauge 0,25mm² (AWG 24)
 Degree of protection IP67 shielded
 Upper temperature + 80°C
 Lower temperature - 25°C

Gewicht: 0.624 Kg
 Weight: 0.624 Kg

Belegung Configuration
 Pol contacts

weiß <i>white</i>	an 1 <i>at 1</i>
braun <i>brown</i>	an 2 <i>at 2</i>
grün <i>green</i>	an 3 <i>at 3</i>
gelb <i>yellow</i>	an 4 <i>at 4</i>
grau <i>grey</i>	an 5 <i>at 5</i>
rosa <i>pink</i>	an 6 <i>at 6</i>
blau <i>blue</i>	an 7 <i>at 7</i>
rot <i>red</i>	an 8 <i>at 8</i>

Schirm durchgängig an Verschraubung
 Shield constantly at screw connection



Seite 1 von 1
 Page 1 of 1