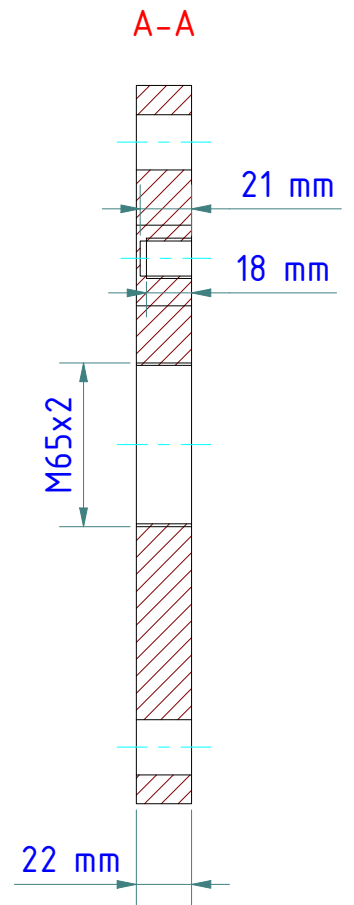
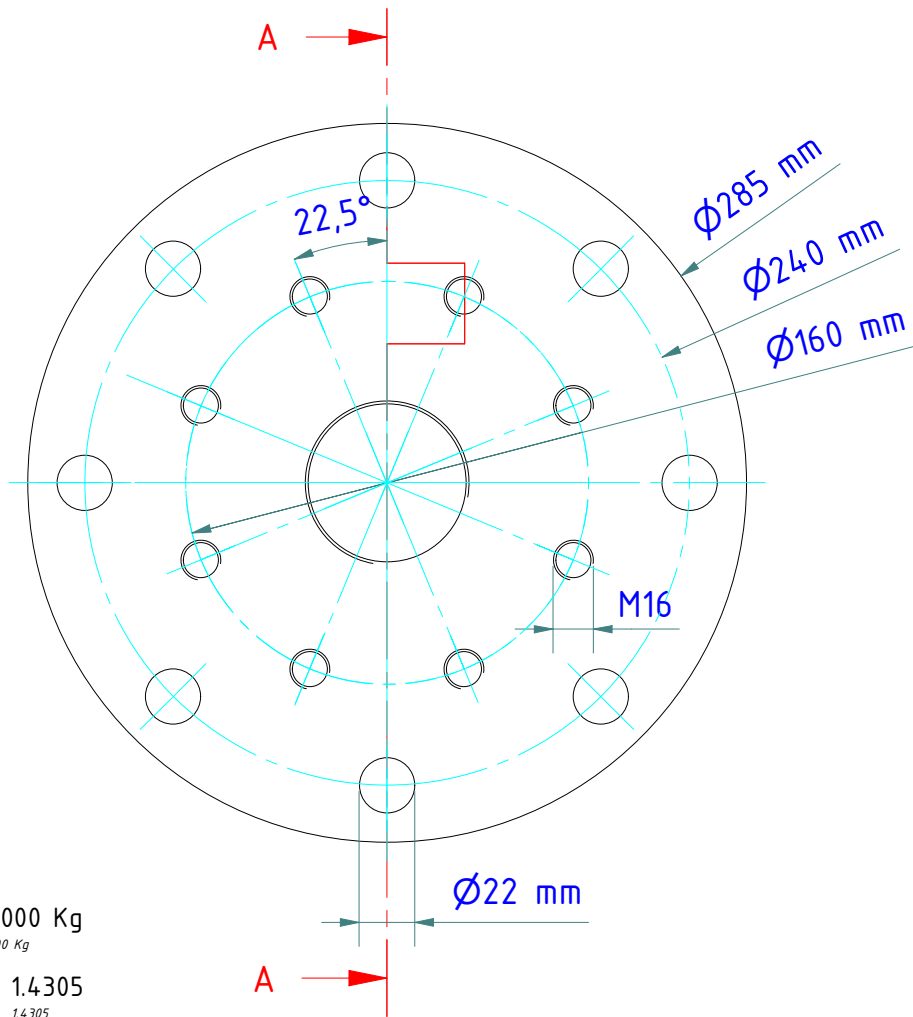


incl. 8 Stück 6kt.-Schraube M16 x 50  
including 8 hexagonal screws M16 x 50



Gewicht: 10.000 Kg  
Weight: 10.000 Kg

Werkstoff: 1.4305  
Material: 1.4305